

Close Coupled Toilet, 1.6GPF

FEATURES

- Gravity jet flushing system
- Universal height
- Close coupled round front bowl and tank set, less seat
- Chrome trip lever
- 12" Rough-in, less supply

MODELS

- CST733F
Round bowl, 12" rough-in, less seat

COMPONENTS

- C733F - Round Front Bowl
- ST733 - Tank and Cover only
- SS113 SoftClose® seat (sold separately)

COLORS/FINISHES

- Standard
 - #01 Cotton
 - #03 Bone
 - #11 Colonial White
 - #12 Sedona Beige
 - #51 Ebony

PRODUCT SPECIFICATION

The two-piece gravity jet flushing system toilet shall be 1.6GPF/6.0LPF. Toilet shall have high-profile tank, round front bowl and chrome trip lever. Toilet shall be TOTO Model CST733F_____.



CODES/STANDARDS

- Meets and exceeds ASME A112.19.2/CSA B45.1
- Certifications: IAPMO(cUPC), State of Massachusetts, City of Los Angeles, and others
- Code compliance: UPC, IPC, NSPC, NPC Canada, and others



CST733F

Close Coupled Toilet, 1.6GPF/6.0 GPF

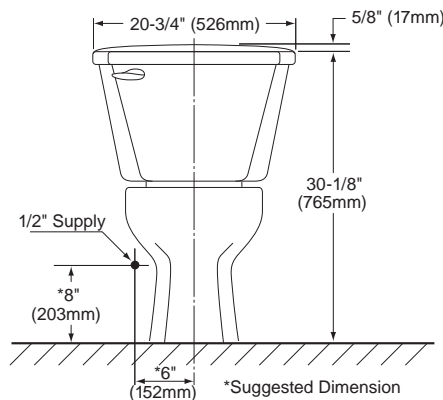
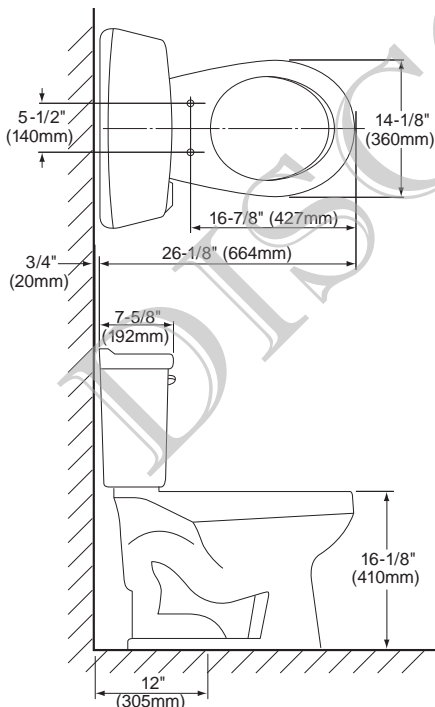
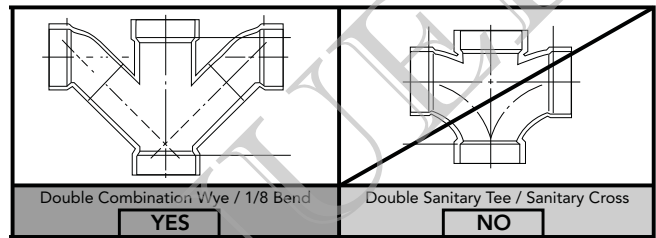
SPECIFICATIONS

- Water Use 1.6 GPF/6.0LPF
- Flush System Gravity jet
- Min. Water Pressure 8 psi (static)
- Water Surface 8" x 9-3/8"
- Trap Diameter 2-1/8"
- Rough-in 12"
- Trap Seal 2-1/8"
- Warranty One Year Limited Warranty
- Material Vitreous china
- Shipping Weight C733F - 49lbs
ST733 - 40lbs
- Shipping Dimensions C733F
25-1/8" L x 9-5/8" W1
x 15-5/8" W2 x 16-3/4" H

ST733
21-1/4" L x 8-1/4" W
x 17-1/8" H

INSTALLATION NOTES

Back-to-Back Toilet Installations:
TOTO recommends the use of a nationally listed, double sanitary tee-wye only, in vertical waste stacks, in accordance with the stipulations noted in the majority of nationally recognized plumbing codes.



TOTO

These dimensions and specifications are subject to change without notice